



Features

- Full system IP66
- Wide Working Temperature Range (-20C-55C)
- Shock & Vibration Resistance
- Isolated Power Design
- Ignition ON/OFF Feature
- Auto Brightness (LCD dimming) Feature
- Programmable Keys Feature



Introduction

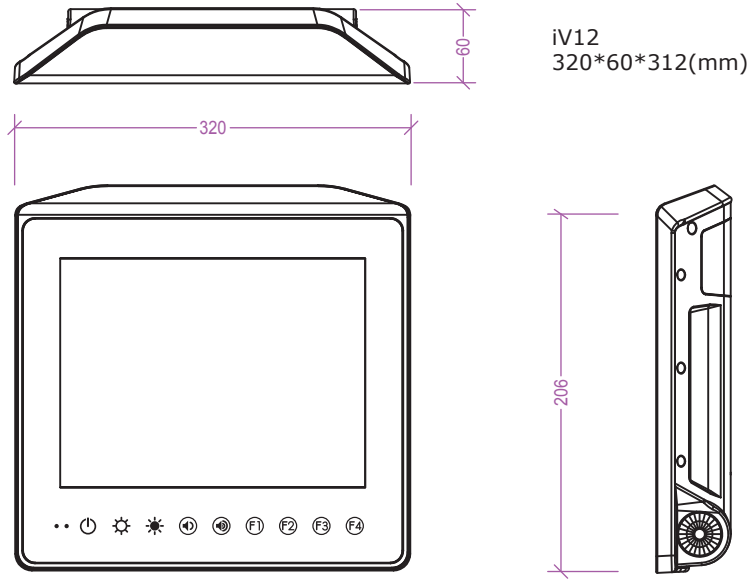
SENIOR iV12 (12.1" intelligent Vehicle Computer) comes with a robust, fanless, smart ignition power on/off design and vehicle power design (IOS-7637 certified) to prevent electrical transient damage. These features provide high stability that is able to withstand shock and vibration on On-Road or Off-Road vehicles such as forklift, buses, cars, and trucks.

Specifications

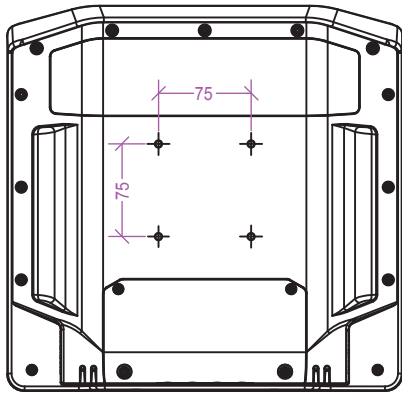
| Model NO. | iV12 |
|-------------------------------------|--|
| CPU | Intel E3845 Quad Core, 1.91 GHz |
| RAM | SO-DIMM x 2, DDR3L-1333, Max. 8GB |
| Graphics | Intel® HD Graphics |
| Storage | 2.5" Industrial grade SSD |
| LCD | 12.1", 1024x768, 600 cd/m ² |
| Touch | PCT, Anti-Glare Optional sunlight filter |
| OS | Windows 7, Windows 10 IoT |
| Power | 24 VDC (10-36VDC, isolation Voltage 1500VDC, Input Polarity Protection) |
| LAN port | 2 (10/100/1000 Mbps) |
| USB port (Rear) | USB 2.0 x 1, USB 3.0 x 1 |
| Display port | 1 |
| Sound | Stereo speakers |
| Serial port | COM1 (RS232/RS422/RS485 select by BIOS) Optional COM2 (RS232) |
| Function Keys | 6 Keys ^{#1} #1 Brightness buttons can become programmable keys while ambient light sensor in BIOS is enabled. |
| Optional Feature | |
| WLAN/Bluetooth | 802.11 a/b/g/n/ac, 2x2 MIMO, Bluetooth 4.1 |
| RFID reader | 13.56MHz, Mifare ISO 14443A |
| External antenna | 2 |
| CANbus Port | 1 (Isolated CANbus 2.0B) |
| Mechanical & Environment | |
| Dimensions & Weight | 320(W) x 312(H) x 60(D) mm, 5 Kg |
| Power Consumption | Typical 35 W |
| Storage Temperature | -20°C~60°C |
| Operating Temperature | -20°C~55°C |
| Relative Humidity | 20%~80% (non-condensing) |
| IP rating | IP66 |
| Shock and Vibration | EN 60721-3-5 (06.1998), Class 5M3 (5h of noise type vibrations; 3.6g rms and 30g peak value) MIL - STD 810F (01.2000) Annex C. Fig 514.5C (US Highway Truck Transportation) |
| ESD | EN 55024:2010 (enhanced ESD to 8kV direct and 15kV air) |
| Regulation | EN 60950-1 , CE/FCC Class A, EN 50498: 2010, ISO 7637-2 |

Dimensions

Unit: mm



VESA 75*75mm



I/O placement

